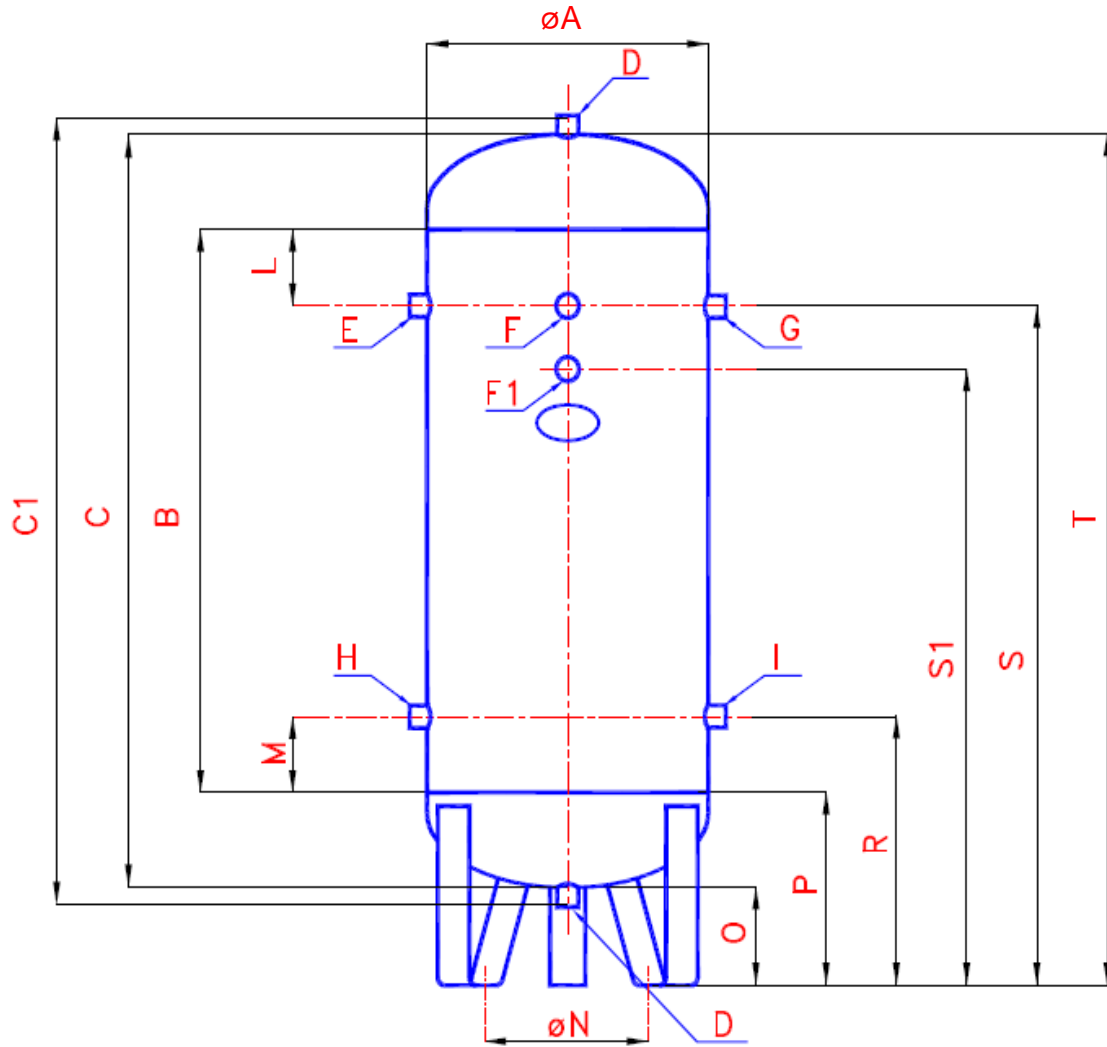




# VERTIKALNA TLAČNA POSODA

DIS. N. 0115



V	Tlak bar	A mm	B mm	C mm	C1 mm	D	E	F	F1	G	H	I	L mm	M mm	N mm	O mm	P mm	R mm	S mm	S1 mm	T mm
200	11-15	440	1100	1354	1386	½"	1"	3/8"	-	1"	1"	1"	150	150	390	133	260	410	1210	-	1485
270	11-15	490	1150	1456	1488	½"	1"	3/8"	-	1"	1"	1"	150	150	440	200	353	503	1356	-	1650
300	11-15	490	1300	1606	1638	½"	1"	3/8"	-	1"	1"	1"	150	150	440	200	353	503	1503	-	1800
500	11-15	600	1500	1856	1898	1"	1"	½"	-	1"	1"	1"	200	200	530	184	362	562	1664	-	2054
725	11-15	800	1150	1620	1700	1½"	1½"	¾"	3/8"	1½"	1½"	1½"	150	255	740	200	435	960	1440	1240	1820
900	11-15	800	1500	1977	2057	2"	2"	¾"	3/8"	2"	2"	2"	240	365	740	200	435	800	1800	1600	2170